



INSTRUCTIONS FOR INSTALLING A RESET COUNTER KIT (112-4593) OR A NON-RESET COUNTER KIT (112-4592) IN A NATIONAL VENDORS® ALL COIN MANUAL RECORDER (ACMR) EQUIPPED: CROWN LINE®, SERIES CC/CANDY CUPBOARD MANUAL CANDY MERCHANDISER OR SERIES CP/PASTRY CUPBOARD MANUAL PASTRY MERCHANDISER; OR CROWN SEVENTY TWO®, SERIES OR GOLDEN FURNITURE LINE CM-72 MANUAL CANDY MERCHANDISER, PM-72 MANUAL PASTRY MERCHANDISER, OR HCM-72 HOT CAN MERCHANDISER

Before starting the work of installing the parts of either the Reset or Non-Reset Counter Kit covered in these instructions, carefully and thoroughly read the instructions. Save the instructions for future part number reference. Although the two Kits contain different parts, the general installation procedures for both Kits are the same.

The Reset Counter Kit, part number 112-4593, consists of the following parts:

Part Number	Description	Quantity
112-4586	Reset Counter And Bracket Assembly attaching part	1
9900-201	Screw/Lockwasher, #8-32 x 5/16"	1
9900-081	Nut/Lockwasher, #8-32 * * *	1
110-4210	End Arm Extension attaching part	1
9900-090	Screw, #6-32 x 3/16", RH Slot, Self Tap * * *	2
222-4605	Counter Rod Assembly	1
112-4581	Lock Release Bar Assembly attaching parts Lock Release Bar Assembly	1
9900-041	Washer, 9/16" x .260" x .040", Brass	2
9900-425	Retaining Ring, .250" * * *	2
112-4594	Installation Instructions * * *	1

The Non-Reset Counter Kit, part number 112-4592, consists of the following parts:

Part Number	Description	Quantity
112-4583	Non-Reset Counter And Bracket Assembly attaching part	1
9900-201	Screw/Lockwasher, #8-32 x 5/16"	1
9900-081	Nut/Lockwasher, #8-32 * * *	1
110-4210	End Arm Extension attaching part	1
9900-090	Screw, #6-32 x 3/16", RH Slot, Self Tap * * *	2
222-4605	Counter Rod Assembly	1
112-4581	Lock Release Bar Assembly attaching parts Lock Release Bar Assembly	1
9900-041	Washer, 9/16" x .260" x .040", Brass	2
9900-425	Retaining Ring, .250" * * *	2
112-4594	Installation Instructions * * *	1

TO INSTALL THE RESET OR NON-RESET COUNTER KIT PARTS:

1. Open the Cabinet Door. Set the Door Holder Leg where required.
2. Expose the Delivery Mechanism Right Sidewall.
3. Remove the Screws and Lockwasher which attaches the Slug Chute Assembly to the Right Sidewall.
4. Place the Counter And Bracket Assembly on the inner side of the Right Sidewall. The single slotted hole in the triangular shaped part of the Counter And Bracket Assembly is to be aligned with the hole from which the Screw was removed in step 3. See Figure 1.
5. Attach the Slug Chute and Counter And Bracket Assembly to the Right Sidewall with the Screw/Lockwasher #8-32 x 5/16", part number 9900-201, and the Nut/Lockwasher #8-32, part number 9900-081, included in the Kit. The Screw is to be inserted from the Candy Column side of the Right Sidewall and the Nut is to be inside the Slug Chute.
6. Insert the Counter Rod Assembly, part number 222-4605 through the hole in the End Arm Extension, part number 110-4210. See Figure 2.

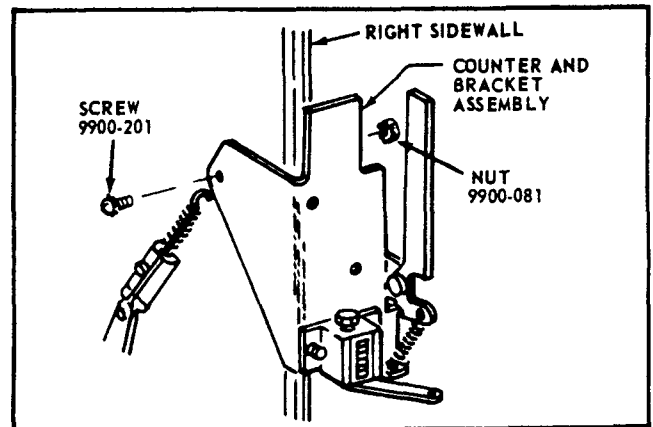


Figure 1.

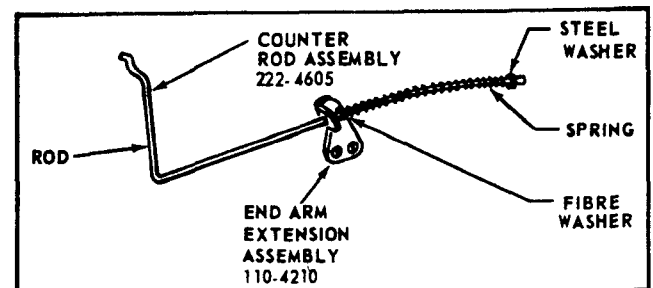


Figure 2.

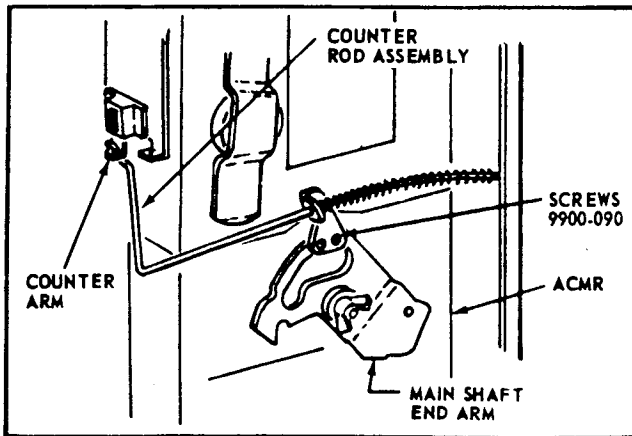


Figure 3.

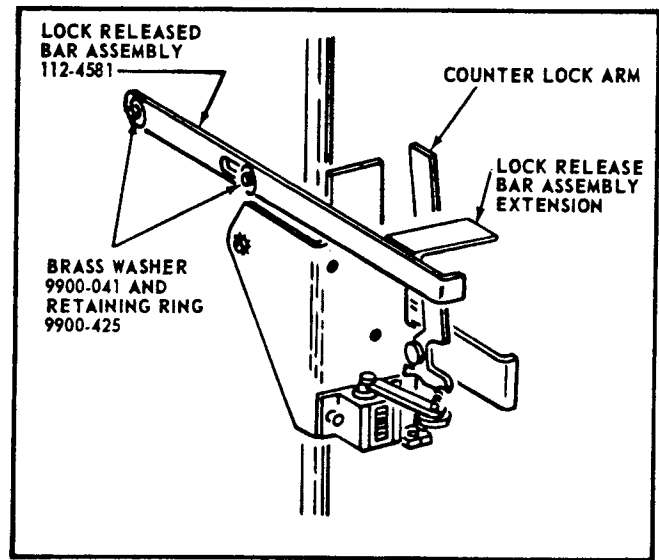


Figure 4.

7. Hook the end of the Counter Rod Assembly into the hole in the Counter Arm. See Figure 3.
8. Attach the End Arm Extension to the Main Shaft End Arm with the two #6-32 x 3/16" Round Head Slotted Screws with Lockwashers, part number 9900-090, included in the Kit. See Figure 3.
9. Remove the two Retaining Rings and Washers which attach the Lock Release Bar to the inside of the Right Sidewall and remove the Bar.
10. Place the replacement Lock Release Bar Assembly, part number 112-4581, over the studs from which the Bar was removed in step 9. The Counter Lock Arm must be behind the extension on the Lock Release Bar Assembly. See Figure 4.
11. Place the two Brass Washers, part number 9900-041, one on each stud.
12. Attach the Washers and replacement Bar Assembly with the two Retaining Rings, part number 9900-425 included in the Kit.
13. Pull the Lock Release Bar, on the Delivery Mechanism, out to allow the Mechanism to free-vend.
14. Move the Counter Lock Arm toward the Delivery Mechanism and hold the Arm back. Slowly actuate the Mech-

anism. Observe the Counter. The Arm should make a complete stroke from the at-rest stop to the other stop and back. The Counter should register a vend.

15. If the Counter Arm does not make a complete stroke on the vend, loosen the Counter Arm Set Screw, adjust the position of the Arm, and tighten the Set Screw.
16. Actuate the Mechanism to determine if the Counter Arm is properly adjusted.
17. When the Arm adjustment is correct, return the Lock Release Bar to the at-rest position.
18. Record the number on the Counter Dial.
19. Close the Cabinet Door and make a purchase from the Merchandiser.
20. Check the Counter, if the Counter has not recorded a vend, recheck the Counter Arm position and action per steps 13 through 20.
21. When the operation of the Merchandiser and the Counter is satisfactory, close the Cabinet Door. The Merchandiser is ready for vending.